

GasStop™

CARAVAN & MOTORHOME

THE ULTIMATE IN GAS SAFETY





INTRODUCING GASSTOP

THE ULTIMATE IN GAS SAFETY

GasStop is an emergency 100% shut-off device for bottled and portable gas systems. In the event of a major leak GasStop will instantly and automatically shut-off the flow of gas. Not only is this device an easy to fit, autonomous must-have safety device, it also has a useful multipurpose gas pressure indicator. Use gas, use GasStop.





GasStopTM

SAFE

100% automatic shut-off
in the event of a
major leak

PRACTICAL

Useful indicator shows
you when your gas is
running low

EASY

Easy to install,
easy to use

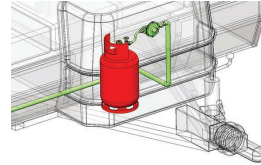
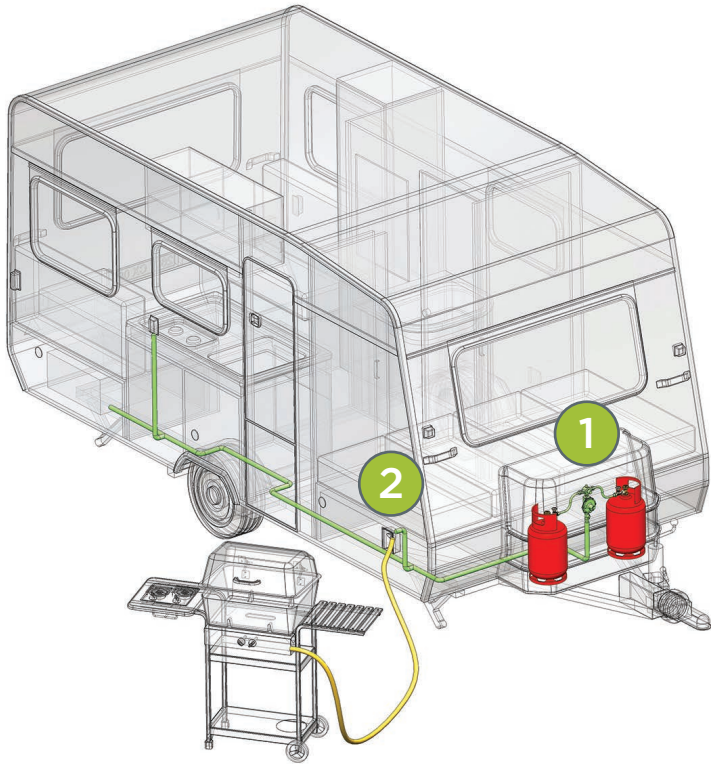
SICHER
100%ige automatische
Abschaltung im Fall
eines größeren Lecks

PRAKTISCH
Nützliche Anzeige,
weist darauf hin, wenn
Ihr Gas knapp wird

EINFACH
Einfache Installation,
weniger Verbrauch

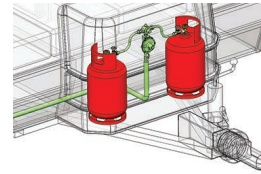
Für die deutsche Standard-
Propangasarmatur ausgelegt

CARAVAN INSTALLATION



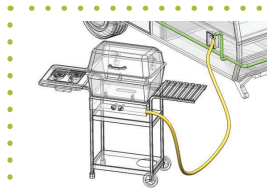
SINGLE-CYLINDER

A GasStop is installed directly onto the cylinder. A high pressure hose is then connected to the bulkhead regulator and the GasStop valve.



DOUBLE-CYLINDER

A GasStop is installed directly onto each cylinder. Two high pressure hoses are then connected to the bulkhead regulator and the GasStop valves.



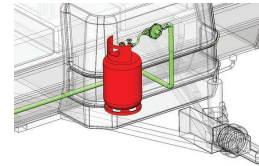
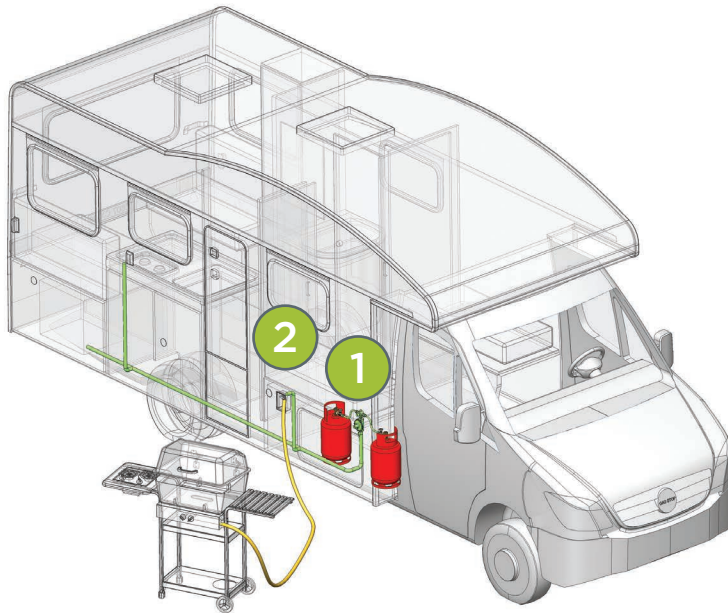
IMPORTANT

Certain bbq points may interfere with the function of an EFV. Please check compatibility with your bbq point manufacturer before installation.

1. Gas cylinder(s), GasStop(s), high pressure hose(s), regulator assembly

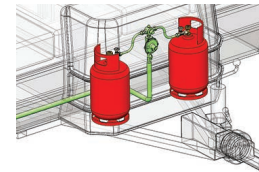
2. External LP gas outlet/BBQ point

MOTORHOME INSTALLATION



SINGLE-CYLINDER

A GasStop is installed directly onto the cylinder. A high pressure hose is then connected to the bulkhead regulator and the GasStop valve.



DOUBLE-CYLINDER

A GasStop is installed directly onto each cylinder. Two high pressure hoses are then connected to the bulkhead regulator and the GasStop valves.



IMPORTANT

Certain bbq points may interfere with the function of an EFV. Please check compatibility with your bbq point manufacturer before installation.

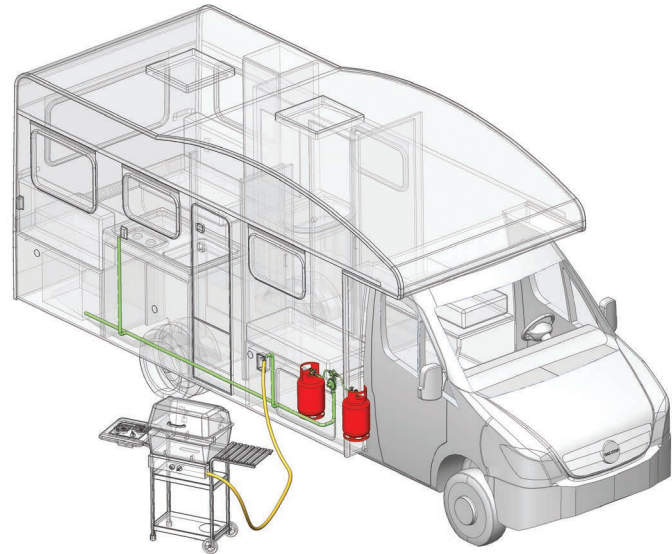
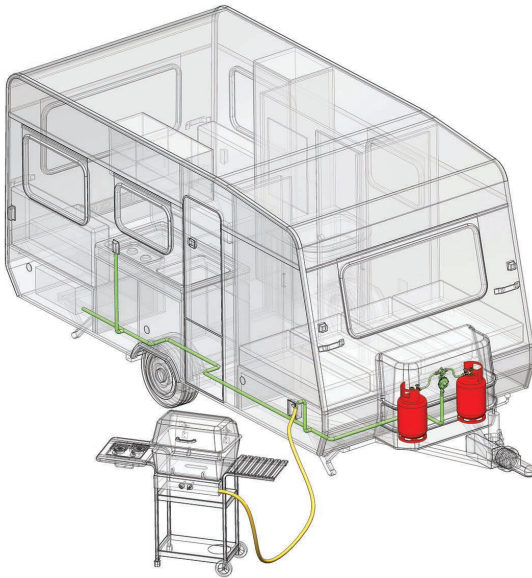
1. Gas cylinder(s), GasStop(s), high pressure hose(s), regulator assembly

2. External LP gas outlet/BBQ point

SYSTEM PROTECTION AGAINST MAJOR LEAKS

GASSTOP PROTECTS YOUR WHOLE INTERNAL LP GAS SYSTEM FROM MAJOR LEAKS, NOT JUST THE HIGH PRESSURE HOSE CONNECTED TO THE CYLINDER.

During external gas use, certain BBQ points may interfere with the efficacy of an EFV. All BBQ points need to be verified as compatible with EFV's for optimum safety.



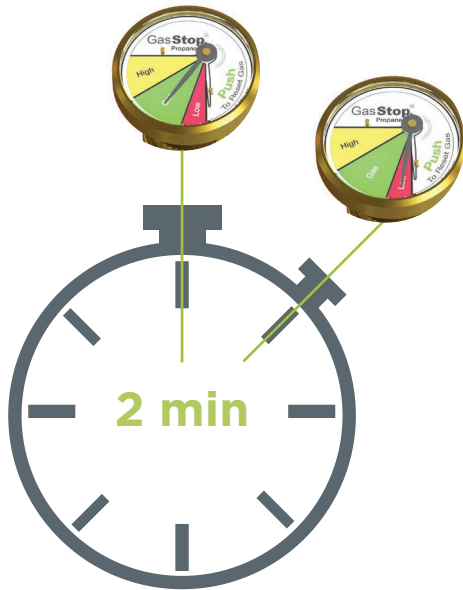
KEY

SECTION OF LP GAS SYSTEM PROTECTED BY GASSTOP AGAINST MAJOR LEAKS (UP TO 5 M)

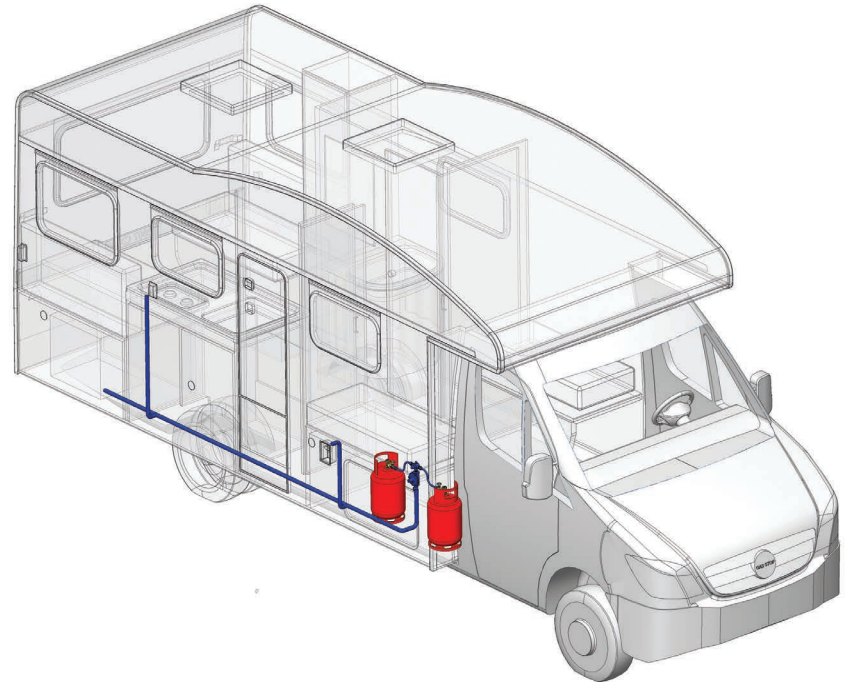
SECTION OF LP GAS SYSTEM THAT MAY NOT BE PROTECTED BY GASSTOP AGAINST MAJOR LEAKS

POST-INSTALLATION MINOR LEAK TESTING (WHOLE LP GAS SYSTEM)

The gasstop pressure gauge is sensitive to minor drops in pressure, making it a useful tool to use when performing a visual lock-up pressure test, also known as a pressure tightness test or pressure decay test.



VISUAL INDICATION OF PRESSURE DECAY (MINOR LEAK)



KEY



INDICATES MANUALLY "LOCKED" PRESSURISED GAS IN THE SYSTEM

EVERY GASSTOP VALVE IS INDIVIDUALLY TESTED & EVIDENCED

EACH INDIVIDUAL GASSTOP IS TESTED (USING OUR INDUSTRY LEADING THREE-STAGE TESTING PROCESS OR TST).

Each GasStop has its own unique QR code (Q3 2018 production onwards) used to reference and access the valve-specific test data. This test data is indefinitely stored on a database.

Every single GasStop valve leave the factory fully tested, evidenced via the individual QR code.



INDIVIDUAL TST DATA STORED
VIA PRODUCT QR CODE



TEST ONE
SHUT OFF TEST



TEST TWO
LEAK TIGHTNESS TEST - INLET



TEST THREE
LEAK TIGHTNESS TEST - OUTLET

PRODUCTS FOR SINGLE-CYLINDER & TWO-CYLINDER SYSTEMS



Unit Code: GSUK1

Fitting: UK-POL (G.7)

Primary Function: Major Leak Shut-Off

Country: UK

Gas Type: Propane

MWP: 2.6 MPa

Inlet Pressure: 0.3 - 16 Bar

Flow Rate/Capacity: 1.5 kg/h

EFV Calibration: ≥ 110% guaranteed flow rate

Standards: EN 16129, ISO 16964, SEP - Pressure Equipment Directive (2014/68/EU)

Warranty: 5 years

Unit Code: GSDE1

Fitting: KLF (G.12)

Primary Function: Major Leak Shut-Off

Country: Germany

Gas Type: Propane

MWP: 2.6 MPa

Inlet Pressure: 0.3 - 16 Bar

Flow Rate/Capacity: 1.5 kg/h

EFV Calibration: ≥ 110% guaranteed flow rate

Standards: EN 16129, ISO 16964, SEP - Pressure Equipment Directive (2014/68/EU)

Warranty: 5 years

Unit Code: GSFR1

Fitting: 21.8mm LH (G.2)

Primary Function: Major Leak Shut-Off

Country: France

Gas Type: Propane

MWP: 2.6 MPa

Inlet Pressure: 0.3 - 16 Bar

Flow Rate/Capacity: 1.5 kg/h

EFV Calibration: ≥ 110% guaranteed flow rate

Standards: EN 16129, ISO 16964, SEP - Pressure Equipment Directive (2014/68/EU)

Warranty: 5 years

PRODUCTS FOR SINGLE-CYLINDER & TWO-CYLINDER SYSTEMS



Unit Code: GSNL1

Fitting: 21.8mm LH (G.5)

Primary Function: Major Leak Shut-Off

Country: Netherlands, Belgium

Gas Type: Propane

MWP: 2.6 MPa

Inlet Pressure: 0.3 - 16 Bar

Flow Rate/Capacity: 1.5 kg/h

EFV Calibration: ≥ 110% guaranteed flow rate

Standards: EN 16129, ISO 16964, SEP - Pressure Equipment Directive (2014/68/EU)

Warranty: 5 years

Unit Code: GSUSA1

Fitting: US - POL (G.9)

Primary Function: Major Leak Shut-Off

Country: USA

Gas Type: Propane

MWP: 2.6 MPa

Inlet Pressure: 0.3 - 16 Bar

Flow Rate/Capacity: 1.5 kg/h

EFV Calibration: ≥ 110% guaranteed flow rate

Standards: EN 16129, ISO 16964, SEP - Pressure Equipment Directive (2014/68/EU), UL 119, UL 2061 (UL Listed)

Warranty: 5 years

Unit Code: GSUSA2

Fitting: Type-1 QCC (CGA 791)

Primary Function: Major Leak Shut-Off

Country: France

Gas Type: Propane

MWP: 2.6 MPa

Inlet Pressure: 0.3 - 16 Bar

Flow Rate/Capacity: 1.5 kg/h

EFV Calibration: ≥ 110% guaranteed flow rate

Standards: UL 119, UL 2061 (UL Listed)

Warranty: 5 years



GasStop™ Europe BV

info@gasstopglobal.com

www.gasstopglobal.com